

PGT<sup>®</sup> Sparta<sup>™</sup>  
ALUMINUM

IMPACT-RESISTANT WINDOWS & DOORS

STRONG WINDOWS & DOORS.  
STRONGER VALUE.



HR4110A Horizontal Roller



# NOW YOU CAN.

**Strong in construction.**

Built for heavy impact.

**Strong in AFFORDABILITY.**

A smart price for a quality product.

**Strong in reputation.**

Quality that PGT® customers rely on.

# PGT strengthens homes, again.

## Protection. For all.

PGT® has long been on the forefront of protection. To better meet the needs of all of our customers, we are proud to offer Sparta Aluminum, our value-custom impact-resistant window and door line. Now you can be protected from the storm. Be impact-resistant. All at a price that makes it easier than ever.



### QUALITY

We create exceptionally built doors and windows. No corners cut. Ever.



### PASSION

We have a passion for our products, for our partnerships, and for protecting those who rely on our products.



### WARRANTY PROTECTION

We're so confident in our product, we offer a limited but comprehensive warranty to protect your investment.

## SPARTA ALUMINUM PRODUCT FEATURES

- Powder-coated white or bronze finish
- Monolithic laminated glass – clear, gray, bronze, obscure, high-performance energy coatings
- Stainless-steel assembly screws
- 2" frame depth
- 1/2" front flange
- Design pressures up to +55/-65 PSF
- Exterior glazed
- Easy to install
- Florida Product Approval-HVHZ
- Muntin types/configurations:
  - PGT® surface applied (low profile exterior and flat bar interior)
  - Standard patterns

SGD4130A Sliding Glass Door  
PW4120A Picture Window



# Protecting Your Investment.

Sparta Aluminum products are backed by some of the best warranties in the industry, including:

- A 10-year warranty on the frame and component parts
- A 5-year warranty on the laminated glass units
- A one-time transfer of warranty coverage to a new residential homeowner







SH4100A Single Hung Window

# Single Hung Window

## PRODUCT FEATURES

- 5/16" Laminated glass:
  - 1/8" Annealed – 0.090 PVB – 1/8" annealed
  - 1/8" Heat strengthened – 0.090 PVB – 1/8" heat strengthened
- Standard or Proview (Oriel) sash styles
- Maximum flange size: 53 1/8" x 78"
- Block and tackle balances
- Traditional sweep lock or bottom lock option available
- Optional integral fin frame



## Commodity Flange\* Sizes

Height	Width			
	19 1/8"	26 1/2"	37"	53 1/8"
26"	12	H32	22	32
38 3/8"	13	H33	23	33
50 5/8"	14	H34	24	34
59 1/2+"	14EH	H34EH	24EH	34EH
63"	15	H35	25	35
76"	16	H36	26	36

### Egress Key

Egress is 5.0 SF or greater

Egress is 5.7 SF or greater

## Modular Flange\* Sizes

Height	Width				
	24"	32"	40"	44"	48"
26"	2022	2822	3422	3822	4022
38 3/8"	2033	2833	3433	3833	4033
50 5/8"	2043	2843	3443	3843	4043
63"	2053	2853	3453	3853	4053
76"	2064	2864	3464	3864	4064

NFRC Certified Energy Values					Grids		
Laminated		U Factor	SHGC	VT	U Factor	SHGC	VT
5/16	Clear	1.09	.63	.72	1.09	.57	.64
5/16	Gray	1.09	.52	.48	1.09	.47	.43
5/16	Bronze	1.09	.55	.53	1.09	.50	.48
5/16	Clear Energy Coating	1.09	.29	.50	1.09	.27	.45
5/16	Gray Energy Coating	1.09	.25	.34	1.09	.23	.30
5/16	Bronze Energy Coating	1.09	.26	.38	1.09	.24	.34

\* Flange sizes shown. Integral Nail Fin and Equal Leg frame, deduct 1" from both width and height.

# Horizontal Roller

## PRODUCT FEATURES

- 5/16" Laminated glass:
  - 1/8" Annealed – 0.090 PVB – 1/8" annealed
  - 1/8" Heat strengthened – 0.090 PVB – 1/8" heat strengthened
- 2- and 3-lite configurations
- Max sizes:
  - XO: 74" x 63"
  - XOX 1/3-1/3-1/3: 111" x 63"
  - XOX 1/4-1/2-1/4: 111" x 63"
- Adjustable brass rollers
- Standard weep covers



## Commodity Flange Sizes (XO/OX)

\*XOX configurations also available.

Size Codes	Width			
	26 1/2"	37"	53 1/8"	74"
Height				
26"	H32	22	32	D22
38 3/8"	H33	23	33	D23
50 5/8"	H34	24	34	D24
63"	H35	25	35	D25
72"	H3M	2M	3M	D2M

## Egress Key

Egress is 5.0 SF or greater

Egress is 5.7 SF or greater

## Modular Flange Sizes (XO/OX)

\*XOX configurations also available.

Size Codes	Width							
	24"	36"	48"	54"	60"	66"	72"	74"
Height								
24"	2020	3020	4020	4620	5020	5620	6020	6220
36"	2030	3030	4030	4630	5030	5630	6030	6230
48"	2040	3040	4040	4640	5040	5640	6040	6240
54"	2046	3046	4046	4646	5046	5646	6046	6246
60"	2050	3050	4050	4650	5050	5650	6050	6250
66"	2056	3056	4056	4656	5056	5656	6053	6256
72"	2060	3060	4060	4660	5060	5660	6060	6260

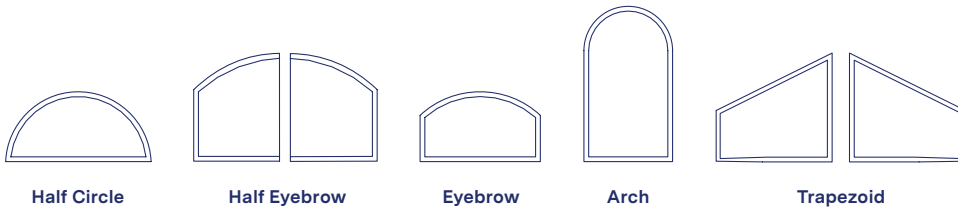
NFRC Certified Energy Values					Grids		
	Laminated	U Factor	SHGC	VT	U Factor	SHGC	VT
5/16	Clear	1.12	.62	.71	1.12	.56	.63
5/16	Gray	1.12	.52	.47	1.12	.47	.42
5/16	Bronze	1.12	.54	.53	1.12	.49	.47
5/16	Mist	1.12	.62	.71	1.12	.56	.63
5/16	Clear Energy Coating	1.12	.29	.49	1.12	.26	.44
5/16	Gray Energy Coating	1.12	.25	.33	1.12	.23	.30
5/16	Bronze Energy Coating	1.12	.26	.37	1.12	.24	.33

Flange sizes shown. Integral Nail Fin and Equal Leg frame, deduct 1" from both width and height.

# Picture Window / Architectural

## PRODUCT FEATURES

- 7/16" Laminated glass:
  - 3/16" Annealed – 0.090  
PVB – 3/16" annealed
  - 3/16" Heat strengthened – 0.090  
PVB – 3/16" heat strengthened
- Max size: 32 sq. ft. – 48" x 96"
- Architectural shapes:
  - Half Circle
  - Half Eyebrow
  - Eyebrow
  - Arch
  - Trapezoid
- Optional integral fin frame



## PW4120A Fixed Lite

Type	Width	Height		Width	Height
Min Flange size	14 1/4	11 1/4	OR	11 1/4	14 1/4
Max Flange size	48	96	OR	96	48
Min Integral Fin size	13 1/4	10 1/4	OR	10 1/4	13 1/4
Max Integral Fin size	47	95	OR	95	47

## AR4120A

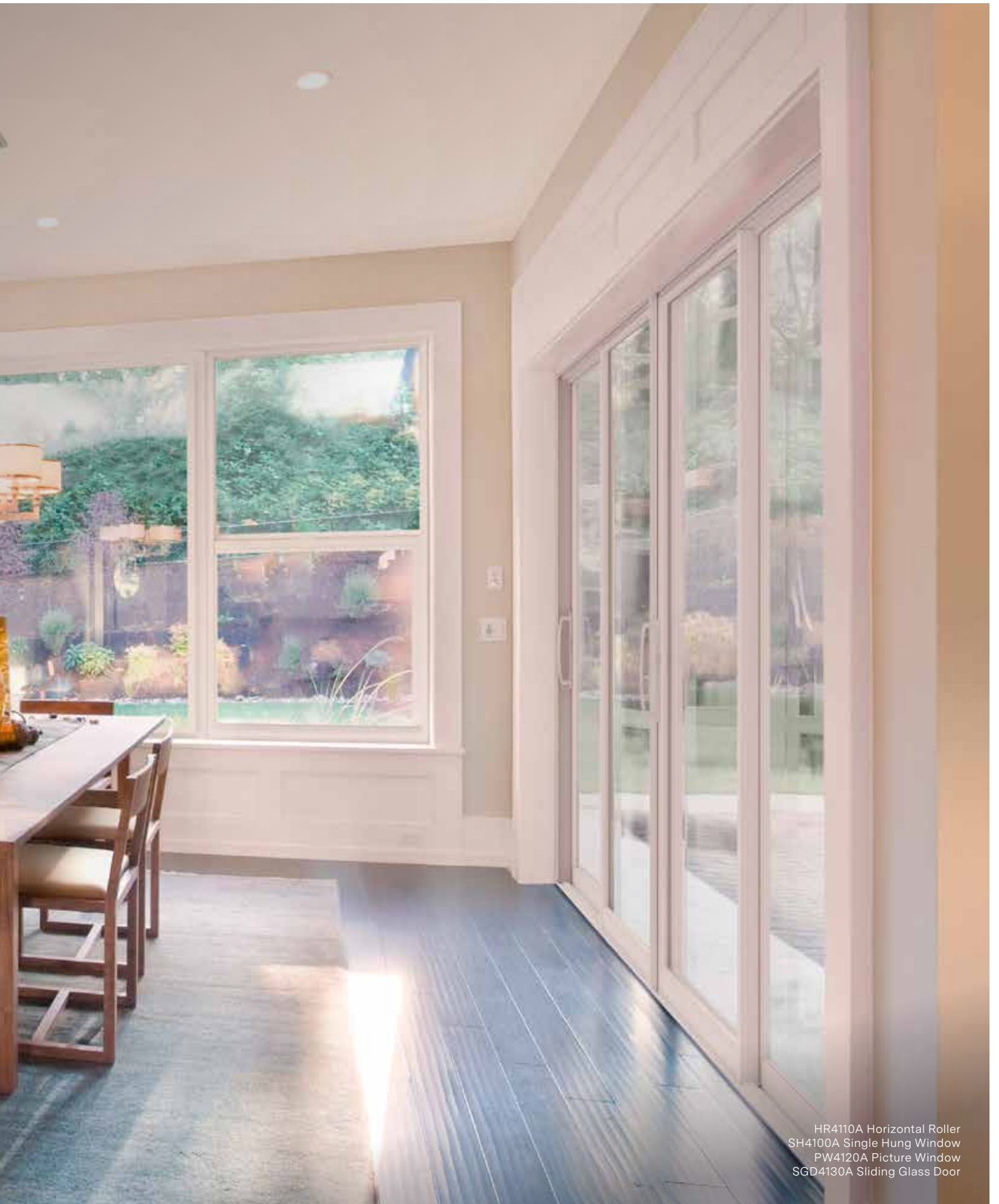
Type	Min Flange Size			Max Flange Size		Min Integral Fin Size			Max Size	
	W	H	Leg Height	W	H	W	H	Leg Height	W	H
Half-Circle	24	12		96	48	22	11		94	47
Eyebrow (Arch Top Fixed)	24	12	6	48	96	23	12	6	47	95
Half-Eyebrow (Half-Arch)	14 1/4	14 1/4	8	48	96	14 1/4	14 1/4	8	47	95
Arch (Tombstone)	24	18		48	96	24	18		47	95
Trapezoid	14 1/4	12	6	48	96	14 1/4	12	6	47	95

NFRC Certified Energy Values					Grids		
Laminated		U Factor	SHGC	VT	U Factor	SHGC	VT
7/16	Clear	1.00	.67	.80	1.00	.61	.72
7/16	Gray	1.00	.52	.45	1.00	.48	.41
7/16	Bronze	1.00	.56	.52	1.00	.51	.46
7/16	Obscure	1.00	.67	.80	1.00	.61	.72
7/16	Clear Energy Coating	1.00	.32	.56	1.00	.29	.50
7/16	Gray Energy Coating	1.00	.27	.32	1.00	.25	.29
7/16	Bronze Energy Coating	1.00	.28	.36	1.00	.25	.35

# Strength. Built for those who know.

Our Sparta Aluminum line gives homeowners the peace of mind of protection, without compromising value. It provides the best of all worlds: Strength. Style. Value. No compromises.





HR4110A Horizontal Roller  
SH4100A Single Hung Window  
PW4120A Picture Window  
SGD4130A Sliding Glass Door

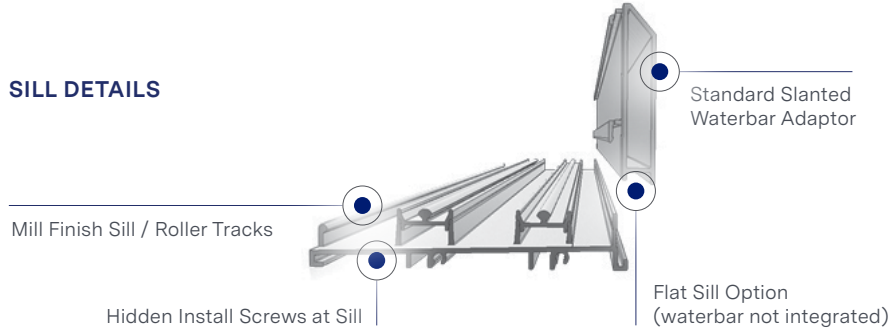
# Sliding Glass Door

## PRODUCT FEATURES

- Extruded screens
  - Aluminum extruded square bead
  - Design pressures: +55/-65
  - Max panel size: 4' x 8'
  - Nominal frame depth:
    - 2-track: 5"
    - 3-track: 7"
- 7/16" Laminated glass:
    - 3/16" Annealed – 0.090  
PVB – 3/16" annealed
    - 3/16" Heat strengthened – 0.090  
PVB – 3/16" heat strengthened



## SILL DETAILS



## Common Sizes

2P2T Configuration				
Size Codes	Width			
Height	48"	60"	72"	96"
80"	4068	5068	6068	8068
84"	4070	5070	6070	8070
96"	4080	5080	6080	8080

3P2T Configuration			
Size Codes	Width		
Height	91"	109"	145"
80"	7668	9068	12068
84"	7670	9070	12070
96"	7680	9080	12080

3P3T Configuration			
Size Codes	Width		
Height	87 11/16"	105 11/16"	141 11/16"
80"	7668	9068	12068
84"	7670	9070	12070
96"	7680	9080	12080

4P2T Configuration			
Size Codes	Width		
Height	118 5/8"	142 5/8"	190 5/8"
80"	10068	12068	15068
84"	10070	12070	15070
96"	10080	12080	15080

NFRC Certified Energy Values					Grids		
Laminated		U Factor	SHGC	VT	U Factor	SHGC	VT
7/16	Clear	1.05	.53	.61	1.05	.41	.46
7/16	Gray	1.05	.42	.34	1.05	.32	.26
7/16	Bronze	1.05	.44	.40	1.05	.34	.30
7/16	Obscured	1.05	.53	.61	1.05	.41	.46
7/16	Clear Energy Coating	1.05	.27	.43	1.05	.21	.33
7/16	Gray Energy Coating	1.05	.22	.25	1.05	.18	.19
7/16	Bronze Energy Coating	1.05	.23	.28	1.05	.18	.21

# Be Prepared.

## Now you can.

At PGT®, it is part of our mission to help keep our neighbors safe. With PGT® Sparta™ Aluminum, we are proud to provide more access to quality windows and doors.

Learn more at: [PGTWINDOWS.COM](https://www.pgtwindows.com)



SGD4130A Sliding Glass Door



SCAN TO  
SHOP PGT®  
PRODUCTS

At PGT®, we're committed to delivering windows and doors you can rely on with always on efficiency. Contact your local dealer today to get started.



**PGT**® Sparta™  
ALUMINUM

PGTWINDOWS.COM | 3400 PRECISION DR., VENICE, FL 34275

©2025 PGT® SPARTA™. A PGT INNOVATIONS® BRAND.

11/2025 MA0100190