

3550  
Storefront  
**Assembly  
Instructions**

---

IMPACT STOREFRONT DOOR

---



# Check List

## RECEIVING

- Inspect product upon arrival - Contact dealer immediately to report any damages
- Verify all items are included

## HANDLING

- Handle with care to prevent damage
- Move doors in a vertical position only

## STORAGE

- Store in a clean, dry area, out of weather and direct sunlight
- Keep off the ground
- Lean against a flat, level surface
- Allow spacing for ventilation










## PRE-INSTALLATION INSPECTIONS

- Measure the rough opening (1/2" wider and taller than the door)
- Measure at the corners and the center (vertical and horizontal)
- Confirm the opening is square, level, plumb, and true
- Notify contractor of any discrepancies

## APPLY AN APPROPRIATE CMU SEALER

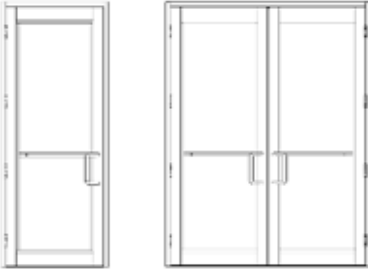
- Apply CMU sealer to all four sides of the opening
- Extend 10" onto the exterior face
- Apply prior to installing the buck materials

## THE TOOLS AND MATERIALS REQUIRED:

 SEALANT	 TAPE MEASURE	 DRILL/SCREW GUN
 FLAT BLADE SCREWDRIVER	 NYLON, PLASTIC, OR COMPOSITE SHIMS	 FASTENERS
 LEVEL	 STANDARD & METRIC HEX KEY SET	 GLASS CUPS (OPTIONAL)

**Note:** All PGT® Commercial products must be installed with caulking or sealant applied in accordance with ASTM E 2112 to ensure a weather-tight assembly. Please refer to the test protocol for a detailed list of approved sealants

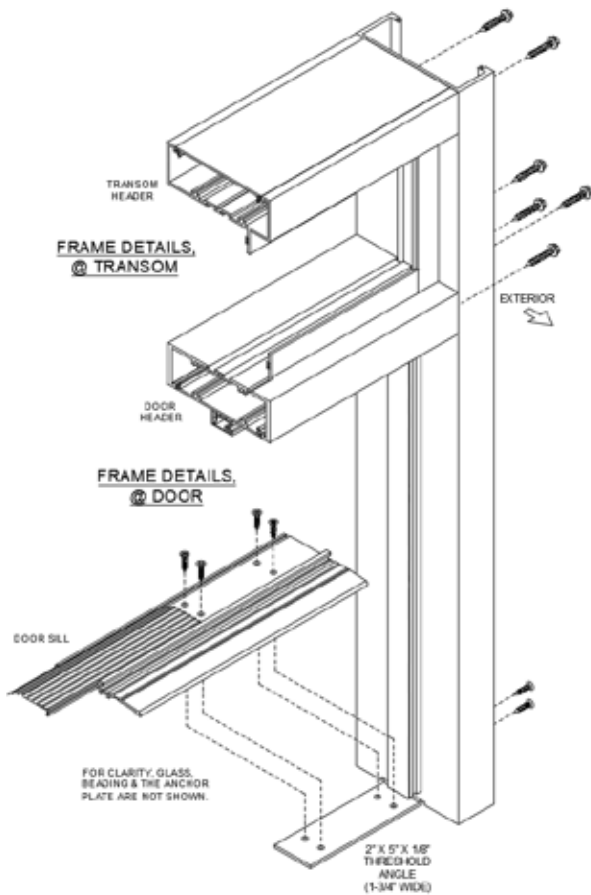
# Assemble Frame into the Opening



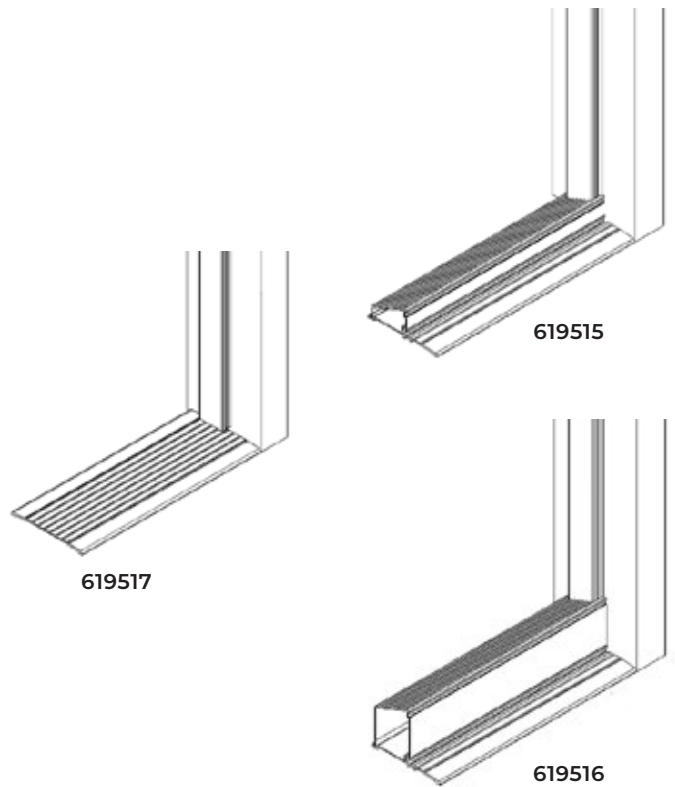
**Single & Double doors** panels will be shipped separately from the frame. The frame will be assembled in the opening prior to the panels being put in.

Both Door Application offer the following options:  
**Inswing** or **Outswing** Saddle Threshold, ADA Threshold, 1 1/2", or 3" Sill Risers.

### SGD 3550 Frame Exploded View



### Thresholds



# NOTICE

READING THESE INSTRUCTIONS FIRST AND FOLLOWING THE PROCEDURES IN PROPER SEQUENCE WILL SAVE FRUSTRATION AND REDUCE COSTLY MISTAKES AND WASTED TIME.

- A Parts List is provided at the front of this document for quick reference. Inspect the product and take inventory of all parts and pieces prior to installation. (ex. screws, frame, panel, etc.)
- Exploded View Reference(s) at the front of this document act as a reference for general location of parts and depict figures that are referenced when following steps outlined in these instructions.
- Carefully review these assembly instructions along with installation details contained in the AAMA Specifications, Miami-Dade Notice of Approval, or test reports, including anchorage information, if applicable.

## SECTION 1: GENERAL INFORMATION

These instructions provide a general guide for assembly. Always refer to the product's approval documents for installation details.

### OPENING REQUIREMENTS & PREPARATION

- Ensure all fasteners and rough opening dimensions comply with the product's Florida Product Approval (FPA).
- Wood bucks, if used, must be pressure treated.
- The **sub sill** (concrete base) must be clean, dry, and level.
- **A 1-1/2" interior floor recess** is recommended to prevent water infiltration.
- Verify the opening is **square, level, and plumb** before installation.
- Do not install it if these conditions are not met
- **Trace** the ends of the frame head, sill, and jambs with sealant (Figure 4).

## SECTION 2: SINGLE OR DOUBLE DOOR ASSEMBLY

**Tip:** Perform all work from the exterior side of the building.

**1. Unpack Components.** Remove frame and door panel; set panel aside.

**2. Weatherproof Sub Sill.** Apply two  $\frac{3}{8}$ " caulk beads, one  $\frac{1}{4}$ " from front and one 1" from rear, with a wave pattern between.

- Also caulk under sill corners where jambs meet threshold.
- Top and side wood bucks, if used, must be fully set in sealant. If using 2x bucks, bucks must be independently secured to concrete with concrete anchors.

**3. Build Door Frame.** Apply silicone sealant to ends of head and sill members and attach them to predrilled assembly holes onto the jambs. Make sure all connections are square and tighten all screws. .

**4. Set Frame.** Tilt frame into opening, seating sill first.

**5. As per approval.** Shim, level & square, per drill and install fasteners.

**6. Attach Door Panel.** Align hinges to jamb holes and fasten using #12-24 x  $\frac{1}{2}$ " screws.

- Do **not** overtighten; use torque setting 5–6 on drill.
- **If double door**, attach inactive first then active panel.

**7. Check Alignment.** Ensure a uniform  $\frac{3}{16}$ " gap around the panel. Adjust frame position if needed by adding or removing shims. Tighten all anchors from the inside.

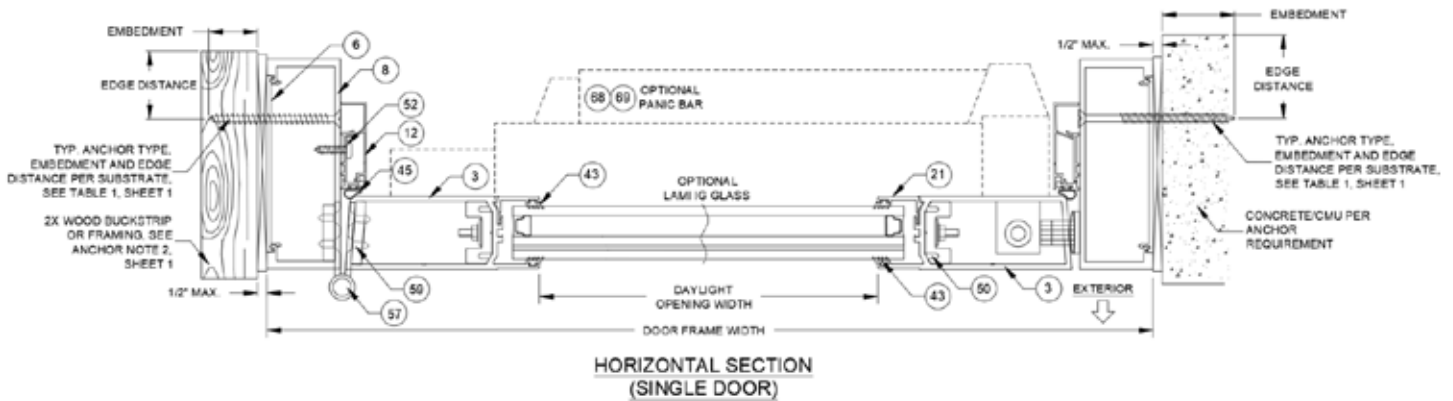
**8. Seal Door Sill.** Seal all anchors at sill of door and gap at both ends between the sill channel (where installation screws sit) and frame jambs (see item 1 on figure 3)

**9. Install Lockset.** Follow lock manufacturer instructions. Adjust top/bottom bolts if needed.

**10. Seal Exterior Perimeter.** Apply continuous exterior-grade caulk around the door frame for a watertight seal.

**11. Integral Transom.** If the unit has an Integral Transom, you can install the transom panel at this stage. The transom panel will hide the installation screws at the head, you can decide:

- Hold off on the transom panel installation until inspection is completed; or,
- Install transom panel now and remove it when inspection is being made.



### SECTION 3: ASSEMBLING AND SECURING THE FRAME

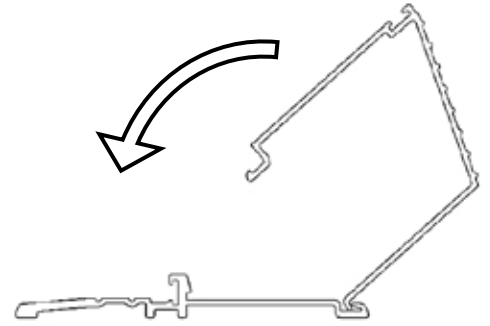
1. **Place** the frame into the opening.
2. **Level** the sill using appropriate shims; ensure proper shim space.
3. **Remove** the frame and fill the area where the threshold meets the floor with sealant as shown in the pictures below; include shim edges.
4. **Reassemble** the frame, secure the bottom jamb corners and remove excess sealant.
5. **Plumb** the jambs and secure one top corner. Check the diagonals for square, then secure the opposite top corner.
6. **Verify all four** sides are straight using a straight edge.
7. **Install** fasteners, per applicable current NOA or Florida Product Approval, into all pre-drilled holes.
  - Apply sealant into each hole prior to installing the fasteners.
  - Seal over each fastener head after installation.
8. **Seal** the seams between the sill and threshold on both sides and remove excess
9. **Use shims at all fastener locations;** ensure proper fit without distortion and avoid over-tightening the screws.



## SECTION 4: APPLY SILL RISER

**Note:** Some 3550 doors do not use a sill riser. Follow these steps **ONLY** when a sill riser is required.

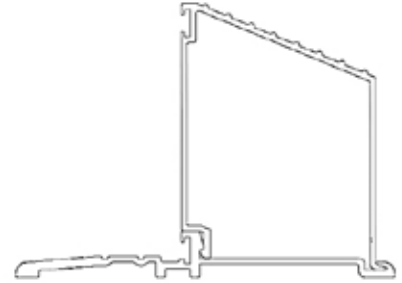
1. **Apply** sealant in the riser anchor channels.
2. **Position** and install the sill riser as shown.
3. **Seal** all edges of the sill riser and remove excess sealant.



## SECTION 5: APPLY VERTICAL DOOR STOP BASES

**Note:** Vertical Door Stop Bases and Doorstop Covers are pre-fabricated for each sill riser and are to be installed **AFTER** the sill is in place.

1. **Fill** the Vertical Door Stop Base anchor holes with sealant.
2. **Apply** sealant on the mating surfaces of the Vertical Door Stop Bases.
3. **Secure** the Vertical Door Stop Bases in place.
4. **Seal** all corners and remove excess sealant.
5. **Apply** Doorstop Covers.



## FINAL OPERATION CHECK

Operate the door to confirm proper closing, locking, and hardware function. Panels are factory-checked prior to shipment; any operational issues typically result from installation error or an out-of-square/out-of-level frame. Diagnose and adjust as needed.

# Appendix

## FIELD ADJUSTMENT AND INSTALLATION DISCLAIMER

This Storefront Door Instructions (“Instructions”) contain general guidelines for installing PGT Commercial’s 3550 Storefront Door and are not intended to address every condition or the structural adequacy of any installation. Accordingly, any variances in installation details should be addressed by a design professional and in reference to the local conditions.

PGT Commercial is not responsible for damages or variations in functionality or door behavior due to improper installation of the door unit or the structural integrity of the building to which the doors are being installed. Please refer to your local building codes prior to installation of the door unit.

The Regent Overhead Concealed Door Closer Series 3000 and Regent panic/exit device hardware are manufactured and factory preset to nominal operating conditions for general installation purposes only. Final performance of these products is dependent on proper installation, alignment, and field adjustment based on actual jobsite conditions.

Variations in building construction, door and frame alignment, air pressure differentials, HVAC operation, and usage patterns may significantly affect door operation. As a result, conditions such as improper closing speed, failure to latch, or excessive closing force may occur if products are not properly adjusted after installation. These conditions are considered normal and do not constitute a product defect.

It is the responsibility of the installer and/or building professional to perform all necessary field adjustments to ensure proper operation and code compliance. This includes, but is not limited to, adjustment of closing speed, latching speed, spring force, latch alignment, and operation of any mechanical or electrified panic/exit device components.

Installers and users must refer to all applicable installation instructions and technical documentation provided with the product, including original equipment manufacturer (OEM) documentation where applicable, for proper installation procedures and adjustment guidelines.

Failure to properly install and adjust the product in accordance with provided instructions and accepted industry practices may result in improper operation, property damage, or personal injury. PGT Commercial is not responsible for any issues arising from improper installation, adjustment, or misuse of the product

---

STOREFRONT DOOR 3550

---

**PGT** WINDOWS  
and DOORS

Frame all of life's little moments with beautiful effortless protection with PGT Windows and Doors

[pgtwindows.com](http://pgtwindows.com)

05/2026 MA0300090

By MITER Brands™

A family of leading window and door brands, united by our passion for quality and relentless pursuit of 100%.

[miterbrands.com](http://miterbrands.com)